

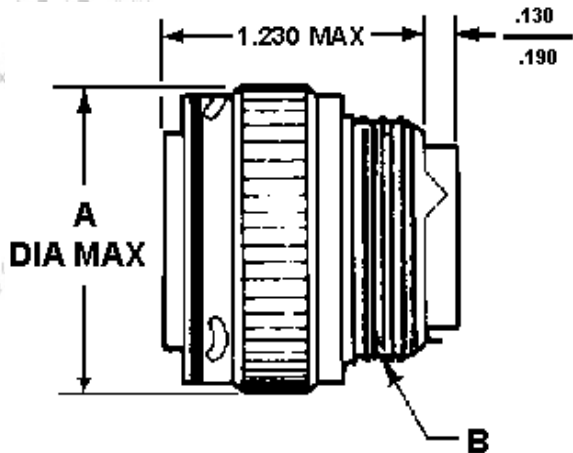


Allen Electric Connector Sales, inc.



MS3475 PLUG, RFI, BAYONET COUPLING, CLASS L, S, W

SHELL SIZE	A MAX	B	B ±.005	±.005	±.005	MAX	-0°C	+0°C	MAX	TH-HEAD 2A
8	.828	.564	.568			445	.055		.087	1/2-20 UNF
10	.954	.719	.625			445	.055		.087	5/8-24 UNEF
12	1.047	.812	.664		120	1.215	.448	.062	.087	3/4-20 UNEF
14										7/8-20 UNEF



SHELL SIZE	A MAX	B THREAD-2A
8	.782	1/2-20 UNF
10	.926	5/8-24 UNEF
12	1.043	3/4-20 UNEF
14	1.183	7/8-20 UNEF
16	1.305	1-20 UNEF
18	1.391	1 1/16-18 UNEF
20	1.531	1 3/16-18 UNEF
22	1.656	1 5/16-18 UNEF
24	1.777	1 7/16-18 UNEF

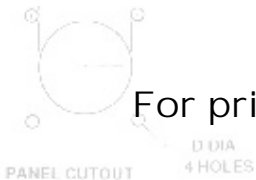
[MIL-DTL-26482 Series II Polarizing Positions](#)
[MIL-DTL-26482 Insert Arrangements](#)

MILITARY PART NUMBERING SYSTEM

MS3475

L 18 - 32 P W

- Polarization (Blank for normal, Alternate positions W, X, Y or Z)
- Contact Style: P= Pins, S= Sockets, A= less Pins, B= less Sockets
- Insert Arrangement: Per MIL-STD-1669
- Shell Size: Even numbers 8 thru 24
- Class:
 - L = Aluminum shell, electroless nickel finish
 - A = Aluminum shell, anodized finish, black (not applicable to MS3475)
 - S = Stainless steel, passivated
 - W = Aluminum shell, olive drab cadmium plated
- MS Number: MS3470 Narrow flange receptacle
- MS3471 Cable connecting receptacle
- MS3472 Wide flange receptacle
- MS3474 Jam nut mount receptacle
- MS3475 RFI grounding Plug
- MS3476 Standard Plug



For pricing and availability, please fill out our RFQ form

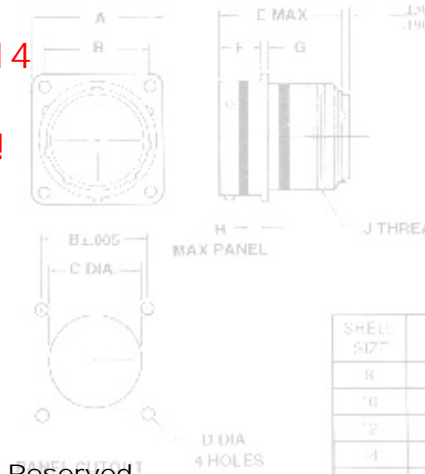
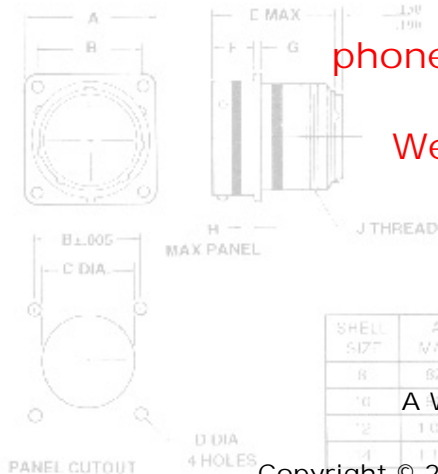


SHELL SIZE	A MAX	B ±.005	C ±.005	D ±.005	E MAX	F -0° C	G +010	H MAX	J TH-HEAD 2A
8	.628	.564	.568	.120	1.215	.446	.052	.087	1/2-20 UNF
10	1.047	.612	.564	.120	1.215	.446	.052	.087	3/4-20 UNEF
12	1.147	.906	.969	.120	1.215	.446	.062	.087	7/8-20 UNEF
16	1.234	.960	1.115	.120	1.215	.446	.062	.087	1-20 UNEF
18	1.338	1.005	1.236	.120	1.215	.446	.062	.087	1 1/16-18 UNEF
20	1.448	1.100	1.365	.120	1.275	.572	.094		1EF
22	1.548	1.200	1.486	.120	1.275	.572	.094		1EF
24	1.648	1.300	1.606	.120	1.275	.572	.094		1EF

If you need any other information, please **E-Mail** aecs@aecsinc.com

phone (703) 425-3815 fax (703) 425-3814

We look forward to hearing from you!



A Woman Owned Small Business, CAGE Code 07BG6