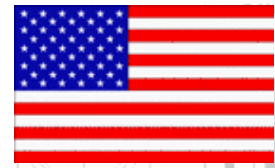




Allen Electric Connector Sales, Inc.

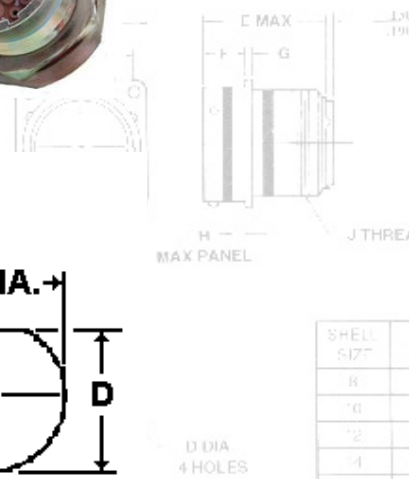
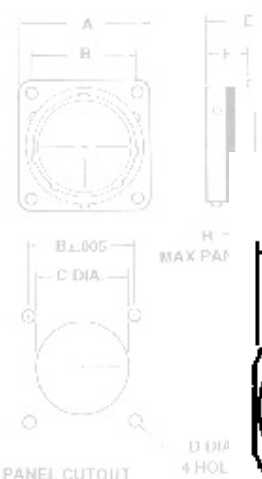
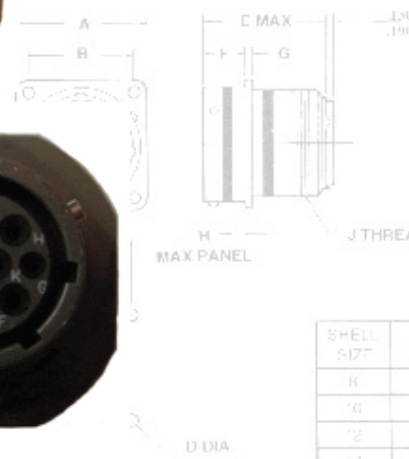
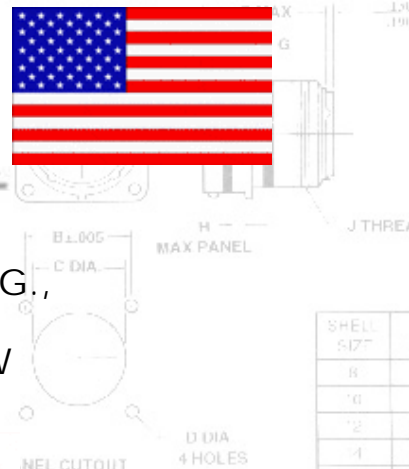
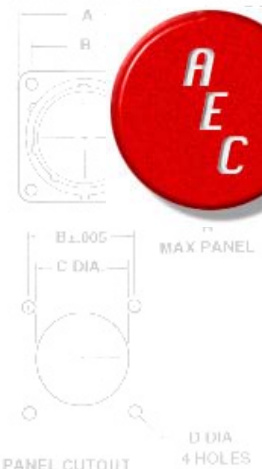
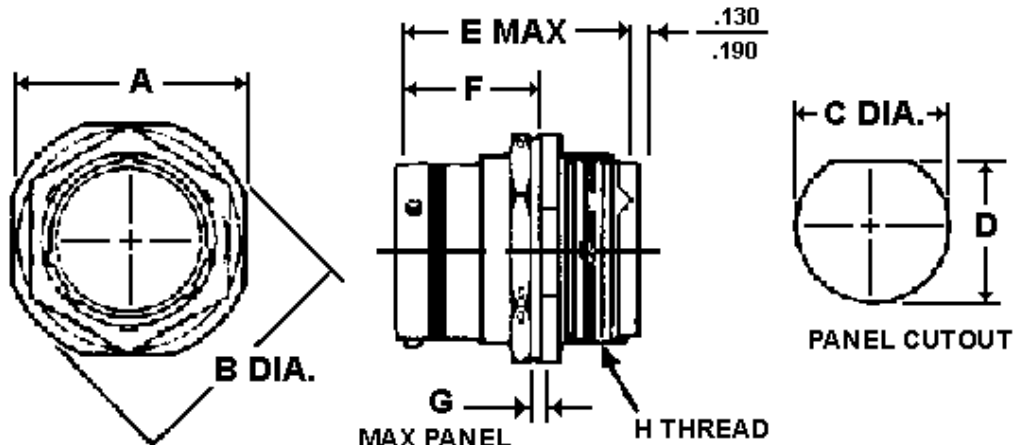
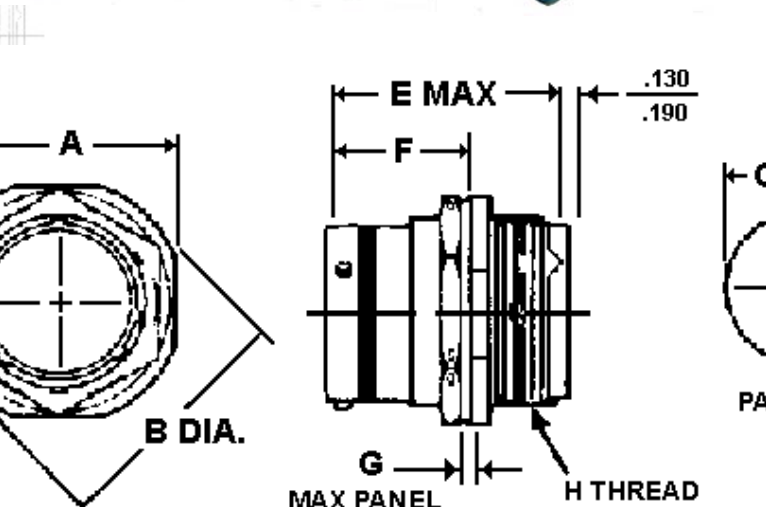


MS3474 RECEPTACLE, SINGLE HOLE MTG., BAYONET COUPLING, CLASS A, L, S, W

SHELL SIZE	A	B	C	D	E	F	G	H	J
507	1.141	1.062	1.095	1.20	1.215	1.40	0.062	0.087	7/8-20 UNEF
10	1.234	1.166	1.115	1.20	1.215	1.46	0.062	0.087	1-20 UNEF



SHELL SIZE	A	B	C	D	E	F	G	H	J
10	1.141	1.062	1.095	1.20	1.215	1.40	0.062	0.087	7/8-20 UNEF
16	1.234	1.166	1.115	1.20	1.215	1.46	0.062	0.087	1-20 UNEF



SHELL SIZE	R	T	U	V	W	X	Y	Z
507	0.187	0.187	0.187	0.187	0.187	0.187	0.187	0.187
10	0.187	0.187	0.187	0.187	0.187	0.187	0.187	0.187

SHELL SIZE	R	T	U	V	W	X	Y	Z
507	0.187	0.187	0.187	0.187	0.187	0.187	0.187	0.187
10	0.187	0.187	0.187	0.187	0.187	0.187	0.187	0.187

SHELL SIZE	R	T	U	V	W	X	Y	Z
507	0.187	0.187	0.187	0.187	0.187	0.187	0.187	0.187
10	0.187	0.187	0.187	0.187	0.187	0.187	0.187	0.187



SHELL SIZE	A +.015	B +.015	C +.005	D +.005	E MAX	F +.010	G MAX	J THREAD-2A
8	.938	1.063	.572	.536	1.215	.656	.187	1/2 20 UNF
10	1.063	1.187	.697	.661	1.215	.656	.187	5/8-24 UNEF
12	1.250	1.346	.895	.824	1.215	.656	.187	3/4-20 UNEF
14	1.346	1.500	1.010	.984	1.215	.656	.187	7/8-20 UNEF
16	1.500	1.625	1.135	1.072	1.215	.656	.187	1-20 UNEF
18	1.625	1.750	1.260	1.197	1.215	.656	.187	1 1/16-18 UNEF
20	1.812	1.938	1.385	1.322	1.275	.719	.250	1 3/16-18 UNEF
22	1.938	2.063	1.510	1.447	1.275	.719	.250	1 5/16-18 UNEF
24	2.063	2.187	1.635	1.572	1.275	.719	.219	1 7/16-18 UNEF

[MIL-DTL-26482 Series II Polarizing Positions](#)
[MIL-DTL-26482 Series II Insert Arrangements](#)

MILITARY PART NUMBERING SYSTEM

MS3474

S

14 - 04

S

X

- Polarization** (Blank for normal, Alternate positions W, X, Y or Z)
- Contact Style:** P= Pins, S= Sockets, A= less Pins, B= less Sockets
- Insert Arrangement:** P er MIL-STD-1669
- Shell Size:** Even numbers 8 thru 24
- Class:**
 - L = Aluminum shell, electroless nickel finish
 - A = Aluminum shell, anodized finish, black (not applicable to MS3475)
 - S = Stainless steel, passivated
 - W = Aluminum shell, olive drab cadmium plated
- MS Number:** MS3470 Narrow flange receptacle
MS3471 Cable connecting receptacle
MS3472 Wide flange receptacle
MS3474 Jam nut mount receptacle
MS3475 RFI grounding Plug
MS3476 Standard Plug

For pricing and availability, please fill out our RFQ form



If you need any other information, please [E-Mail aecs@aecsinc.com](mailto:aecs@aecsinc.com)



phone (703) 425-3815 fax (703) 425-3814

We look forward to hearing from you!



A Woman Owned Small Business, CAGE Code 07BG6

Copyright © 2008 Allen Electric Connector Sales, Inc. All Rights Reserved.

SHELL SIZE	A MAX	B ±.005	C ±.005	D ±.005	E MAX	F -0.05	G +0.10	H MAX	J THREAD 2A
10	954	719	685	120	1215	446	052	087	5/8-24 UNEF