



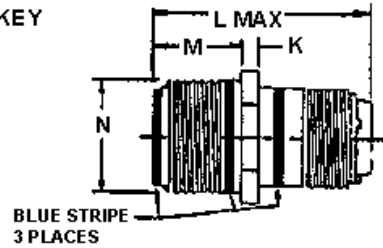
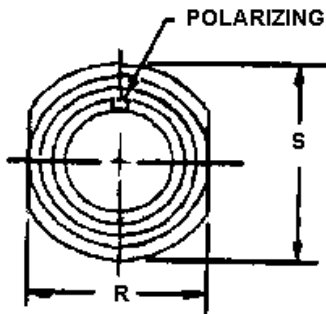
Allen Electric Connector Sales, Inc.



MS3451 CABLE CONNECTING RECEPTACLE

SHELL SIZE	A MAX	B ±.005	C ±.005	D ±.005	E MAX	F MAX	G MAX	H MAX	J THREAD
8	828	554	568	120					
10	954	719	585	120					
12	1047	812	564	120					
14	1141	906	563	120					
16	1234	988	1115	120					
18	1328	1082	1236	120					
20	1423	1150	1365	120					
22	1518	1250	1488	120					
24	1708	1375	1615	120					

SHELL SIZE	A MAX	B ±.005	C ±.005	D ±.005
8	828	554	568	120
10	954	719	585	120
12	1047	812	564	120
14	1141	906	563	120
16	1234	988	1115	120
18	1328	1082	1236	120
20	1423	1150	1365	120
22	1518	1250	1488	120
24	1708	1375	1615	120



SHELL SIZE	A MAX	B ±.005	C ±.005	D ±.005	E MAX	F MAX	G MAX	H MAX	J THREAD
8	828	554	568	120					
10	954	719	585	120					
12	1047	812	564	120					
14	1141	906	563	120					
16	1234	988	1115	120					
18	1328	1082	1236	120					
20	1423	1150	1365	120					
22	1518	1250	1488	120					
24	1708	1375	1615	120					

SHELL SIZE	A MAX	B ±.005	C ±.005	D ±.005
8	828	554	568	120
10	954	719	585	120
12	1047	812	564	120
14	1141	906	563	120
16	1234	988	1115	120
18	1328	1082	1236	120
20	1423	1150	1365	120
22	1518	1250	1488	120
24	1708	1375	1615	120

SIZE	K ±.015	L MAX		M ±.010	N MAX	R	S ±.031
		SIZE 12 & 16 CONTACTS	SIZE 0, 4 & 8 CONTACTS				
8S	.083	2.031	-	.562	.532	.504/.496	.729
10S/10SL	.083	2.031	-	.562	.656	.629/.621	.854
12S	.083	2.031	-	.562	.782	.754/.746	.974
12	.083	2.125	-	.750	.782	.754/.746	.974
14S	.083	2.031	-	.562	.906	.879/.871	1.099
14	.083	2.125	-	.750	.906	.879/.871	1.099
16S	.083	2.031	-	.562	1.032	1.005/.996	1.244
16	.083	2.125	2.500	.750	1.032	1.005/.996	1.244
18	.125	2.125	2.500	.750	1.156	1.131/1.121	1.349
20	.125	2.125	2.500	.750	1.282	1.256/1.246	1.474
22	.125	2.125	2.500	.750	1.406	1.381/1.371	1.599
24	.125	2.125	2.500	.812	1.532	1.506/1.496	1.715
28	.125	2.125	2.500	.812	1.782	1.756/1.746	1.974
32	.125	2.125	2.500	.875	2.032	2.007/1.996	2.224
36	.125	2.125	2.500	.875	2.282	2.257/2.248	2.474
40	.125	2.125	2.500	.875	2.532	2.511/2.496	2.724

MILITARY PART NUMBERING SYSTEM

MS345

1

L

18

-11

P

Y

Insert Clocking (Blank for normal, Alternate Positions W, X, Y, Z)

Contact Style (P for Pin, S for Socket, A for Less Pins, B for Less Sockets)

Insert Arrangement (2 thru 61 per MIL-STD 1554)

Shell Size: 8 thru 40

Environmental Class

L=Aluminum shell, electroless nickel finish, fluid resistant insert

LS=Stainless shell, passivated finish, fluid resistant insert

K=Superceded by Class KT

KT=Ferrous alloy shell, olive drab cadmium finish, firewall fluid resistant insert

KS=Stainless shell, passivated finish, firewall resistant insert

U=Superceded by Class L

W=Aluminum shell, 500 hour corrosion resistant olive drab cadmium finish, fluid resistant insert

Shell Configuration

0=Receptacle, wall mount (square flange) 4=Receptacle, jam nut

1=Receptacle, cable connecting

6=Plug, standard coupling ring

2=Receptacle, box mount (square flange)

9D=Plug, self locking (ratchet) coupling ring

MS Number



PANEL CUTOUT

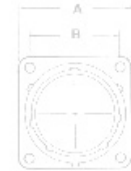
D DIA
4 HOLES

For pricing and availability, please fill out our RFQ form



PANEL CUTOUT

D DIA
4 HOLES



PANEL CUTOUT

B ±.005
C DIA
MAX PANEL



H
J THREAD

If you need any other information, please [E-Mail aecs@aecsinc.com](mailto:aecs@aecsinc.com)

phone (703) 425-3815 fax (703) 425-3814

We look forward to hearing from you!



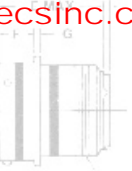
PANEL CUTOUT

D DIA
4 HOLES



PANEL CUTOUT

B ±.005
C DIA
MAX PANEL



H
J THREAD

D DIA
4 HOLES

R	828	554	568	120	1.215	446	062	087	1.716 UNF
10	954	719	585	120	1.215	446	062	087	1.716 UNF
12	1.047	812	564	120	1.215	446	062	087	1.716 UNF
14	1.141	906	568	120	1.215	446	062	087	1.716 UNF
16	1.234	1000	568	120	1.215	446	062	087	1.716 UNF
18	1.328	1.092	1.236	120	1.215	446	062	087	1.716 UNF
20	1.423	1.180	1.265	120	1.215	446	062	087	1.716 UNF
22	1.518	1.269	1.486	120	1.215	446	062	087	1.716 UNF
24	1.708	1.375	1.615	120	1.215	446	062	087	1.716 UNF

R	828	554	568	120
10	954	719	585	120
12	1.047	812	564	120
14	1.141	906	568	120
16	1.234	1000	1.115	120
18	1.328	1.092	1.236	120
20	1.423	1.180	1.265	120
22	1.518	1.269	1.486	120
24	1.708	1.375	1.615	120

SHELL SIZE	A MAX	B ±.005	C ±.005	D ±.005
R	828	554	568	120
10	954	719	585	120
12	1.047	812	564	120
14	1.141	906	568	120
16	1.234	1000	1.115	120
18	1.328	1.092	1.236	120
20	1.423	1.180	1.265	120
22	1.518	1.269	1.486	120
24	1.708	1.375	1.615	120

SHELL SIZE	A MAX	B ±.005	C ±.005	D ±.005
R	828	554	568	120
10	954	719	585	120
12	1.047	812	564	120
14	1.141	906	568	120
16	1.234	1000	1.115	120
18	1.328	1.092	1.236	120
20	1.423	1.180	1.265	120
22	1.518	1.269	1.486	120
24	1.708	1.375	1.615	120

A Woman Owned Small Business, CAGE Code 07BG6