



Allen Electric Connector Sales, inc.



M83723/75 Plug, Bayonet, Socket Contacts Class A, G, R, W



SHELL SIZE	A MAX	B ±.005	C ±.032	D ±.055	E MAX	F -0.12	G +0.10	H MAX	JH-ESU 2A
8	.828	.554	.568	.120	1.215	.448	.052	.087	12-20 UNF
10	.954	.719	.585	.120	1.215	.448	.052	.087	24 UNEF

SHELL SIZE	A MAX	B ±.005	C ±.032	D ±.055	E MAX
8	.828	.554	.568	.120	1.21
10	.954	.719	.585	.120	1.21
12	1.047	.812	.664	.120	1.21
14	1.141	.906	.669	.120	1.21
16	1.234	.988	1.115	.120	1.21
18	1.308	1.092	1.216	.120	1.21
20	1.418	1.190	1.365	.120	1.21
22	1.578	1.292	1.486	.120	1.21
24	1.708	1.375	1.615	.121	1.21

M83723/76 Plug, Bayonet, Pin Contacts Class A, G, R, W

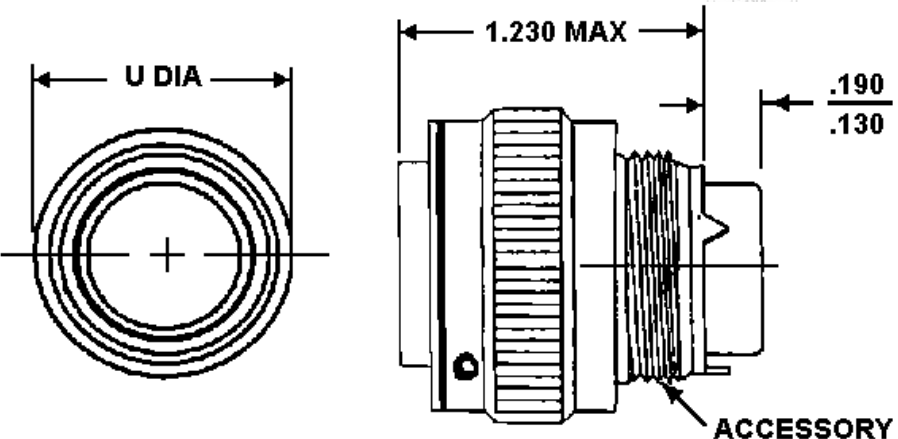


SHELL SIZE	A	B	C	D	E
8	.828	.554	.568	.120	1.21
10	.954	.719	.585	.120	1.21
12	1.047	.812	.664	.120	1.21
14	1.141	.906	.669	.120	1.21
16	1.234	.988	1.115	.120	1.21
18	1.308	1.092	1.216	.120	1.21
20	1.418	1.190	1.365	.120	1.21
22	1.578	1.292	1.486	.120	1.21
24	1.708	1.375	1.615	.121	1.21

SHELL SIZE	A	B	C	D	E
8	.828	.554	.568	.120	1.21
10	.954	.719	.585	.120	1.21
12	1.047	.812	.664	.120	1.21
14	1.141	.906	.669	.120	1.21
16	1.234	.988	1.115	.120	1.21
18	1.308	1.092	1.216	.120	1.21
20	1.418	1.190	1.365	.120	1.21
22	1.578	1.292	1.486	.120	1.21
24	1.708	1.375	1.615	.121	1.21

M83723/77 Plug, RFI, Bayonet, Socket Contacts Class G, R, W

M83723/78 Plug, RFI, Bayonet, Pin Contacts Class G, R, W



SHELL SIZE	U DIA		ACCESSORY THREAD
	INCH	MM	
8	.776	19.71	.500-20 UNEF-2A
10	.906	23.01	.625-24 UNEF-2A
12	1.078	27.38	.750-20 UNEF-2A

A MAX	B ±.005	C ±.032	D ±.055	E MAX
.828	.554	.568	.120	1.21
.954	.719	.585	.120	1.21
1.047	.812	.664	.120	1.21
1.141	.906	.669	.120	1.21
1.234	.988	1.115	.120	1.21
1.308	1.092	1.216	.120	1.21
1.418	1.190	1.365	.120	1.21
1.578	1.292	1.486	.120	1.21
1.708	1.375	1.615	.121	1.21

14	1.141	28.98	1.25	1.875-20 UNEF-2A
16	1.266	32.15	1.111	1.000-20 UNEF-2A
18	1.375	34.92	0.815	1.062-18 UNEF-2A
20	1.510	38.35	0.615	1.188-18 UNEF-2A
22	1.625	41.27	0.415	1.312-18 UNEF-2A
24	1.760	44.70	0.215	1.438-18 UNEF-2A

14	1.234	36.88	1.115	1.20	1.21
16	1.358	40.92	1.235	1.20	1.21
20	1.463	45.100	1.365	1.20	1.21
22	1.578	49.20	1.495	1.20	1.21
24	1.703	53.30	1.615	1.20	1.21

[MIL-DTL-83723 Series III Polarizing Locksmith Keyed Positions](#)
[MIL-DTL-83723 Insert Arrangements](#)
[MIL-DTL-83723 Panel Cut-Out Dimensions](#)

MILITARY PART NUMBERING SYSTEM

M83723 / 75

A 14 12 A

Insert Clocking (N for normal, alternate positions 6,7,8,9, and Y (MIL-STD 1554))

Insert Arrangement Per MIL-STD 1554

Shell Size: Even numbers 8 thru 24

Class:

A= Aluminum shell, black anodize finish, fluid resistant insert

R= Aluminum shell, electroless nickel finish, fluid resistant insert

G= Stainless steel shell, passivated, fluid resistant insert

K= Stainless steel shell, passivated, firewall, non-flammable hard dielectric fluid resistant insert

W= Aluminum shell, cadmium, conductive finish, 500 hours salt spray, fluid resistant insert

N= Plugs, electrodeposited nickel finish, hermetic, fluid resistant insert, firewall, RFI grounding, self locking,

Receptacles, electrodeposited nickel finish, hermetic, fluid resistant insert, firewall

S= Stainless steel shell, passivated, fluid resistant insert, firewall (plug & receptacle), RFI grounding, self locking (plug)

Shell and Contact Style:

71= Bayonet Square Flange, Socket Contacts

72= Bayonet Square Flange, Pin Contacts

73= Bayonet Single Hole Mt, Socket Contacts

74= Bayonet Single Hole Mt, Pin Contacts

75= Bayonet Straight Plug, Socket Contacts

76= Bayonet Straight Plug, Pin Contacts

77= Bayonet RFI Plug, Socket Contacts

78= Bayonet RFI Plug, Pin Contacts

82= Threaded Square Flange, Socket Contacts

83= Threaded Square Flange, Pin Contacts

84= Threaded Single Hole Mt, Socket Contacts

85= Threaded Single Hole Mt, Pin Contacts

86= Threaded Straight Plug, Socket Contacts

87= Threaded Straight Plug, Pin Contacts

91= Threaded RFI Plug, Socket Contacts

92= Threaded RFI Plug, Pin Contacts

95= Threaded Self-Locking Plug, Socket Contacts

96= Threaded Self-Locking Plug, Pin Contacts

97= Threaded Self-Locking RFI Plug, Socket Contacts

98= Threaded Self-Locking RFI Plug, Pin Contacts

MS Number

24	1.703	1.375	1.615	1.27	1.275	1.42	0.94	0.12	1.716-18 (NFI)
----	-------	-------	-------	------	-------	------	------	------	----------------

24	1.703	1.375	1.615	1.27	1.27
----	-------	-------	-------	------	------

For pricing and availability, please fill out our RFQ form



If you need any other information, please **E-Mail** aecs@aecsinc.com



phone (703) 425-3815 fax (703) 425-3814

We look forward to hearing from you!



A Woman Owned Small Business, CAGE Code 07BG6

Copyright © 2008 Allen Electric Connector Sales, Inc. All Rights Reserved.